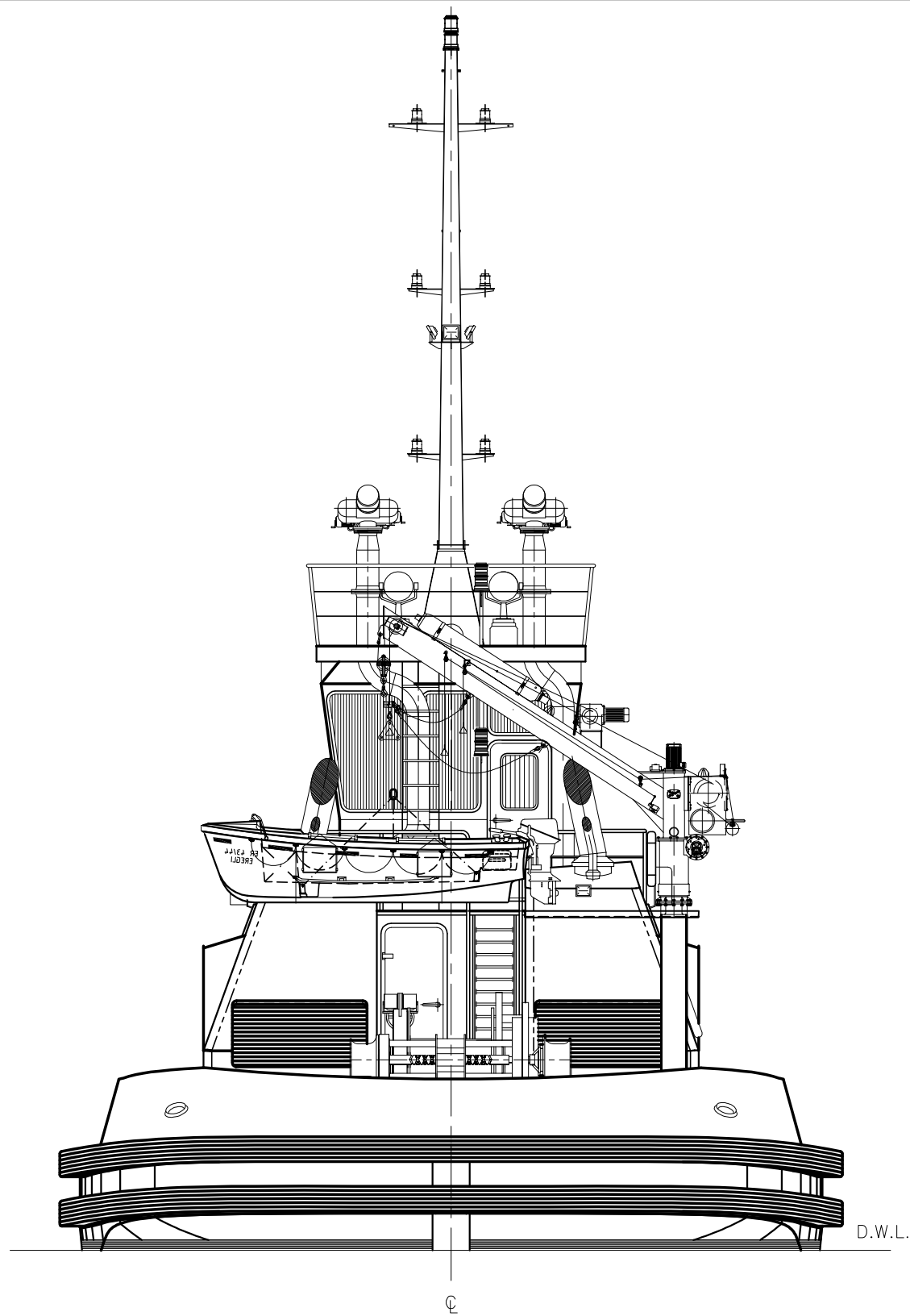


**BUREAU VERITAS**  
Stamped document, refer to 1st page



STERN VIEW

TITLE			
GENERAL ARRANGEMENT			
SCALE	PROJECT No.	DWG. No.	SHEET
1/75	204-167	30000	6 OF 7
ROBERT ALLAN LTD.			REV.
			0