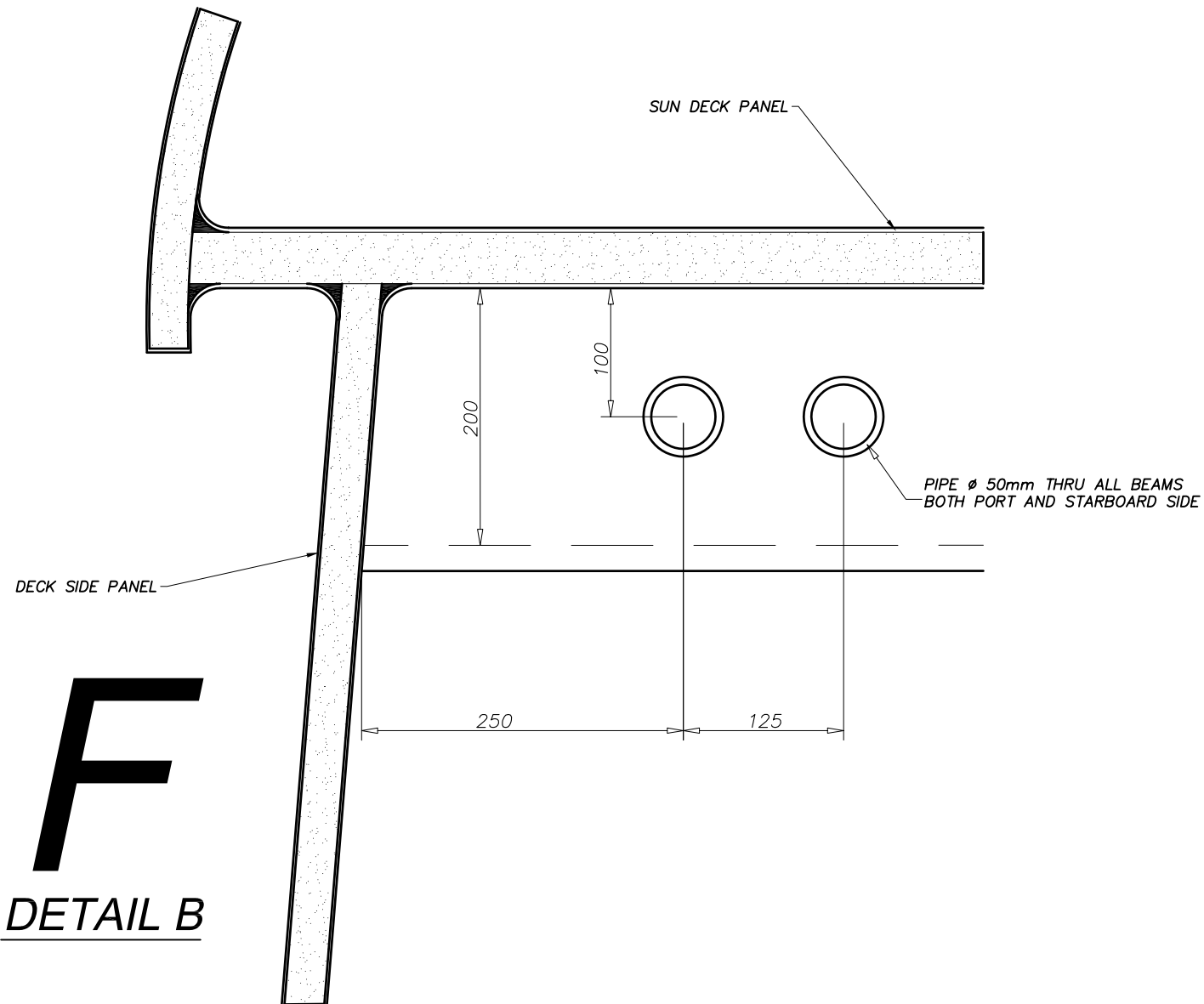


E
DETAIL A



F
DETAIL B

1	2005-09-24	Sun deck wider longer, gunwhale height	e.s.	e.s.
ISSUE	DATE	MODIFICATION	DRAWN BY	APPROVED

THIS DRAWING MUST NOT BE REPRODUCED OR USED FOR ANY PURPOSE, OTHER THAN IN CONJUNCTION WITH THE BOAT OR DESIGN FOR WHICH IT WAS DRAWN, WITHOUT THE DESIGNER'S WRITTEN CONSENT.

THE INFORMATION CONTAINED HEREON IS STRICTLY CONFIDENTIAL AND A PERSON USING OR DISCLOSING THE INFORMATION CONTAINED HEREON IN BREACH TO THIS SHALL BE SUBJECT TO AN ACTION TO ENJOIN SUCH USE AND A SUIT FOR DAMAGES.

THE BUILDER MUST CHECK DIMENSIONS AND CONTENT GIVEN ON THE DRAWING AND ADVISE THE DESIGNER OF ANY DISCREPANCIES BEFORE COMMENCING CONSTRUCTION.

Telefon +46 706 22 23 35
www.sealounge.se
jacob@sealounge.se

SEALOUNGE
Construction detail: Transverse beams Deck house

DATE 2005-01-30 DRAWN BY E. Segerlind



**Eric R. Segerlind
DESIGN**

Eric R. Segerlind Design Phone: +46(0)70-569 07 36
473 91 HENÅN, SWEDEN email: eric.segerlind@telia.com

DRAWING NUMBER	DIMENSION
SL-CD 4	MM
SCALE	SHEET
1:5	1 OF 1
ISSUE	
1	

