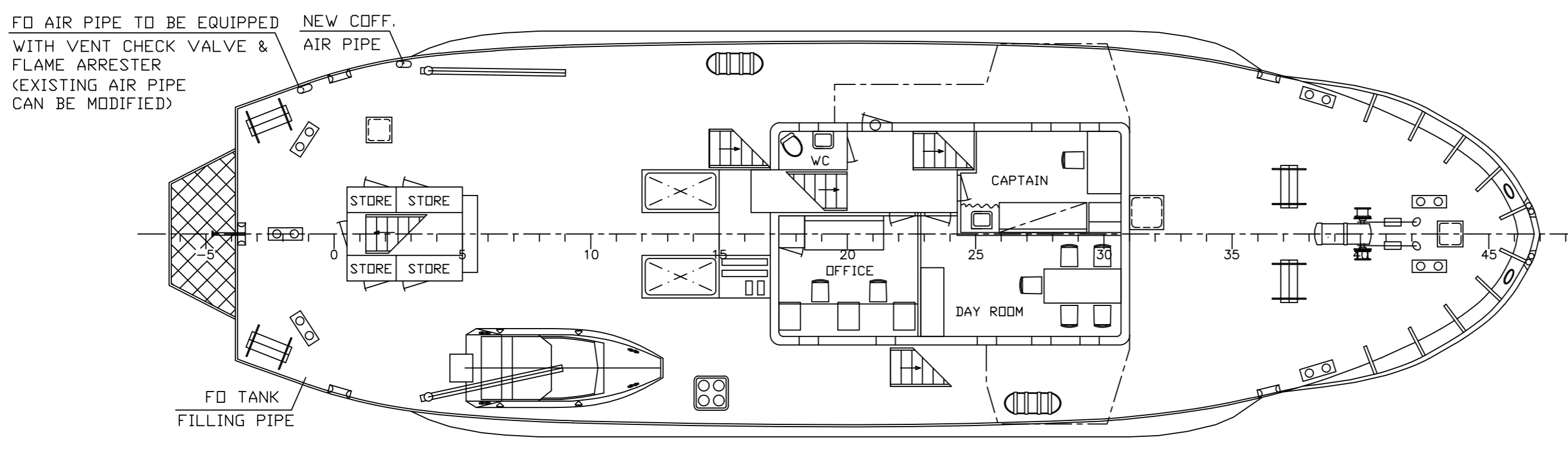
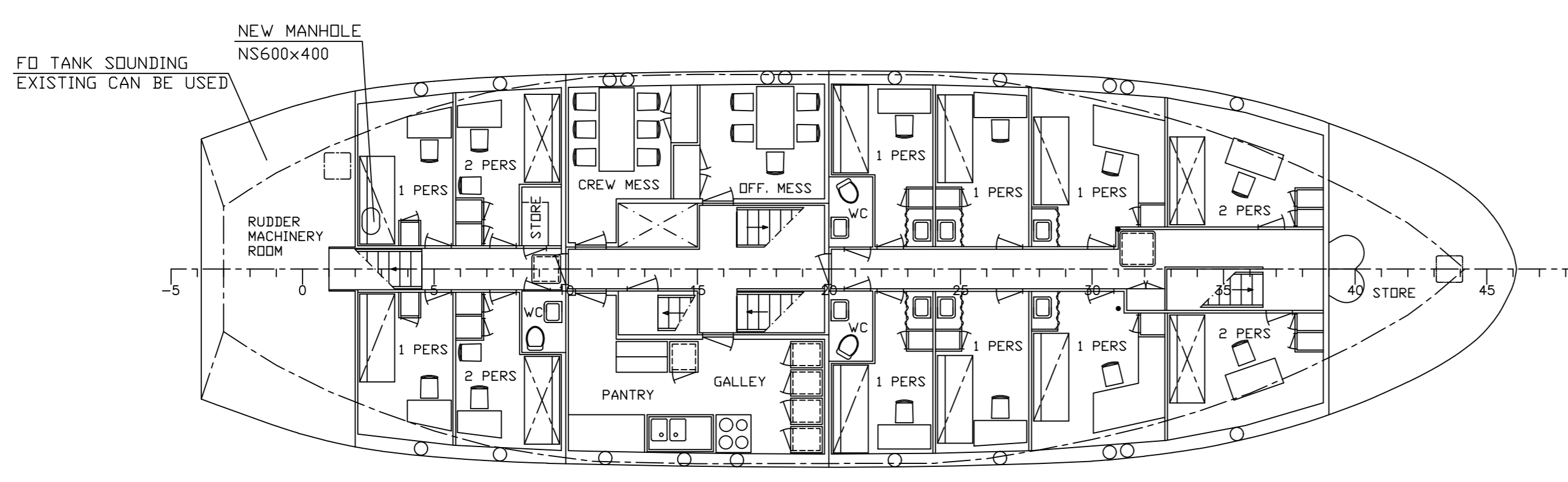


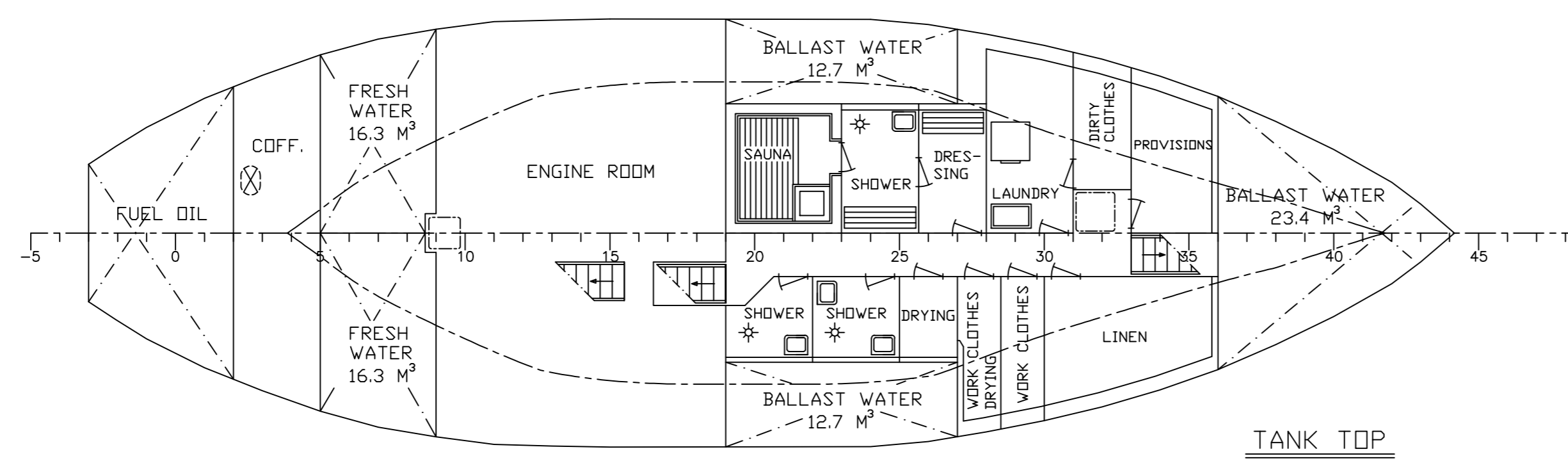
BRIDGE DECK



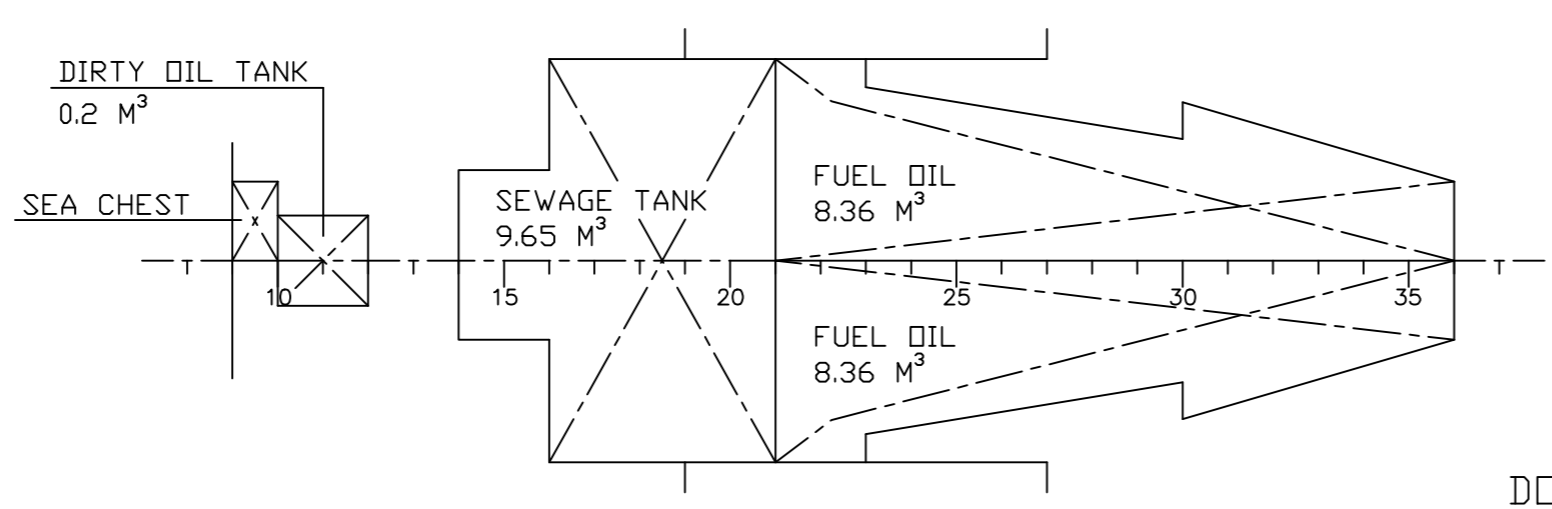
MAIN DECK



TWEEN DECK



TANK TOP



DOUBLE BOTTOM

Me/a AIRISTO ORIGINAL GA

A AFT PEAK FUEL OIL TANK ADDED 12.1.2015 JS

**ILS Oy**  
 Consulting Naval Architects &  
 Marine Engineers  
 Puutarhakatku 45  
 FIN-20100 Turku, Finland  
 Tel: +358-(0)2-41 72 200 E-mail: ils@ils.pp.fi  
 Fax: +358-(0)2-41 72 210 Web: www.ils.fi

GENERAL  
 ARRANGEMENT  
 569-010-001-1A

Drawn: ILS  
 Check:  
 Scale: 1:100  
 File: 569-010-001-1A